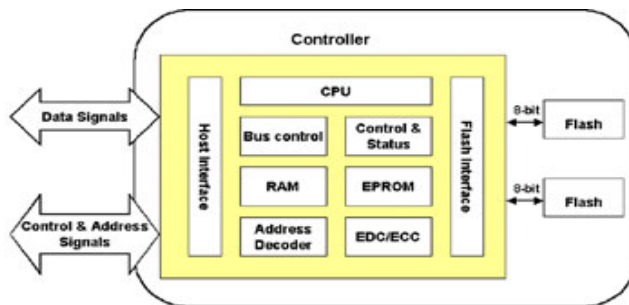


Prime News

[Introducing DiskOnChip IDE Pro](#)

Advantech Embedded Computing Group introduces a new data storage solution, DiskOnChip IDE Pro from M-Systems. The DiskOnChip IDE Pro is a flash disk with an IDE interface. It combines advanced and proven DiskOnChip technology with a standard IDE interface to complement the DiskOnChip product lines. ([read more...](#))



Tel: 886-2-2792-7818
Fax: 886-2-2794-7304
[Contact the editor](#)

Recent News

Prime News

- [PCM-5825 Product Launch](#)

Announcement

- [Advantech the One and Only Gold-level Partner in Microsoft's Windows Embedded Partner ODM Category](#)

Announcement

- [EPC's Build to Order Servicer](#)

RECENT ISSUES

- [February 1, 2002](#)
- [January 15, 2002](#)
- [January 1, 2002](#)
- [December 15, 2001](#)

Announcements

[Windows Embedded Training: XP Embedded & CE.Net](#)



Starting in March, 2002, Advantech will provide various levels of training for Windows Embedded products including the new Windows XP Embedded and Windows CE .NET, all using Microsoft authorized course materials. ([read more...](#))

[PCM-9572F-L8A1 Phase out Information](#)

As previously announced to most of our sales channels on Jan 30th, 2002, the PCM-9572F-L8A1 SBCs will be phased out soon. Due to PCM-9572F-L8A1 VGA/LCD chip SMI 721/8M chip phase out. This is a reminder to let everyone know the exact date. The last-buy date will be July 30th, 2002. ([read more...](#))

Event

[Visit Advantech at CeBIT 2002 and ESC 2002](#)



What are visitors going to see at Advantech's booth at CeBIT 2002? This year, Advantech will deliver two themes to our booth guests: System on Module Solutions and Mobile and Wireless Computing Solutions. ([read more...](#))

Problems, comments, suggestions? Please contact the [editor](#)

EPC World	Advantech Home	EPC Homepage	News Archive	Contact Us
---------------------------	--------------------------------	------------------------------	------------------------------	----------------------------

Prime News

Introducing DiskOnChip IDE Pro

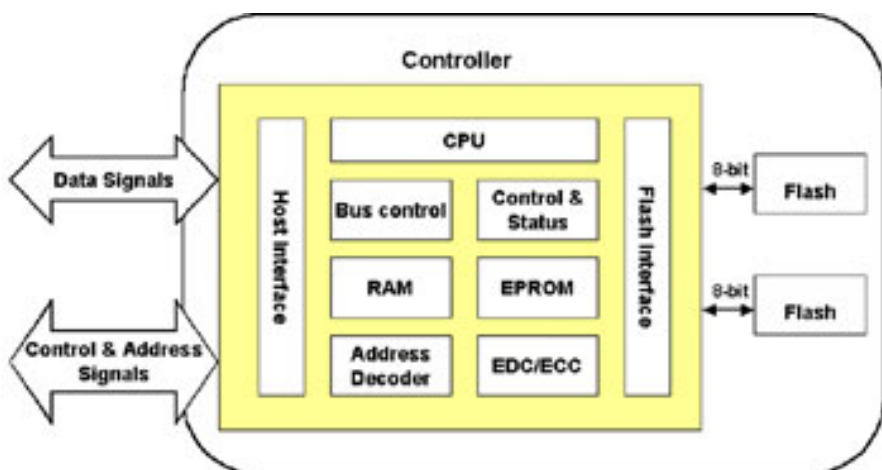
Advantech Embedded Computing Group introduces a new data storage solution, DiskOnChip IDE Pro from M-Systems. The DiskOnChip IDE Pro is a flash disk with an IDE interface. It combines advanced and proven DiskOnChip technology with a standard IDE interface to complement the DiskOnChip product line.

Main Features

Simple, scalable and ready to run, DiskOnChip IDE Pro features easy plug and play integration, great performance and high reliability. It offers built-in block device emulation, and needs no software driver. DiskOnChip IDE Pro complements the DiskOnChip product family of products well. It fits into any platform that has an IDE connector. The advantages are:

- **Easy Integration** - Just plug in the DiskOnChip IDE Pro and start working.
- **High Performance** - Extremely fast read & write rates for transparent hard-drive emulation.
- **Scalable** - Provides a convenient upgrade path and flexible design.
- **Highly Reliable** - Automatically detects up to 2 bits and corrects 1 bit per 512 bytes.
- **No Driver Needed** - Works with any OS.
- **Supports all IDE Modes** - For new and older platforms. Supports two device connections per bus.

The DiskOnChip IDE Pro integrates an IDE controller and flash device. Communication with the host occurs through the host interface, using standard ATA protocol. Communication with the flash device(s) occurs through the flash interface. Below is the DiskOnChip IDE Pro block diagram for reference. ([Click here for large view of block diagram](#))



Tel: 886-2-2218-4567
Fax: 886-2-2218-3875

[Contact the editor](#)

Other News

Prime News

- [Introducing DiskOnChip IDE Pro](#)

Announcement

- [PCM-9572 Phase-out](#)
- [Sign Up for Advantech Windows CE.Net XP Embedded Training](#)

Event

- [Visit Advantech at Cebit 2002 and ESC 2002](#)

RECENT ISSUES

[February 1, 2002](#)
[January 15, 2002](#)
[January 1, 2002](#)
[December 15, 2001](#)

Compatibility

All DiskOnChip IDE Pro versions are compatible with one another. Capacities can be upgraded with no change to the basic design using the same IDE connector type.

DiskOnChip IDE Pro products are obviously not compatible with other DiskOnChip products, due to the different form factors and drivers.

Availability

DiskOnChip IDE Pro will be available in the following form factors and capacities:

Product	IDE Connector Type	Capacity (MB)
DiskOnChip IDRE Pro, Operating Voltage: 5 V	40-pin	16
		32
		64
		128
	44-pin	16
		32
		64
		128

The DiskOnChip IDE Pro will be ready for orders starting April 1, 2002. Please contact your Advantech sales representative or epc@advantech.com or visit the IDE Pro web page on M-Systems web site (www.m-sys.com) for any further information or assistance.

[TOP](#)

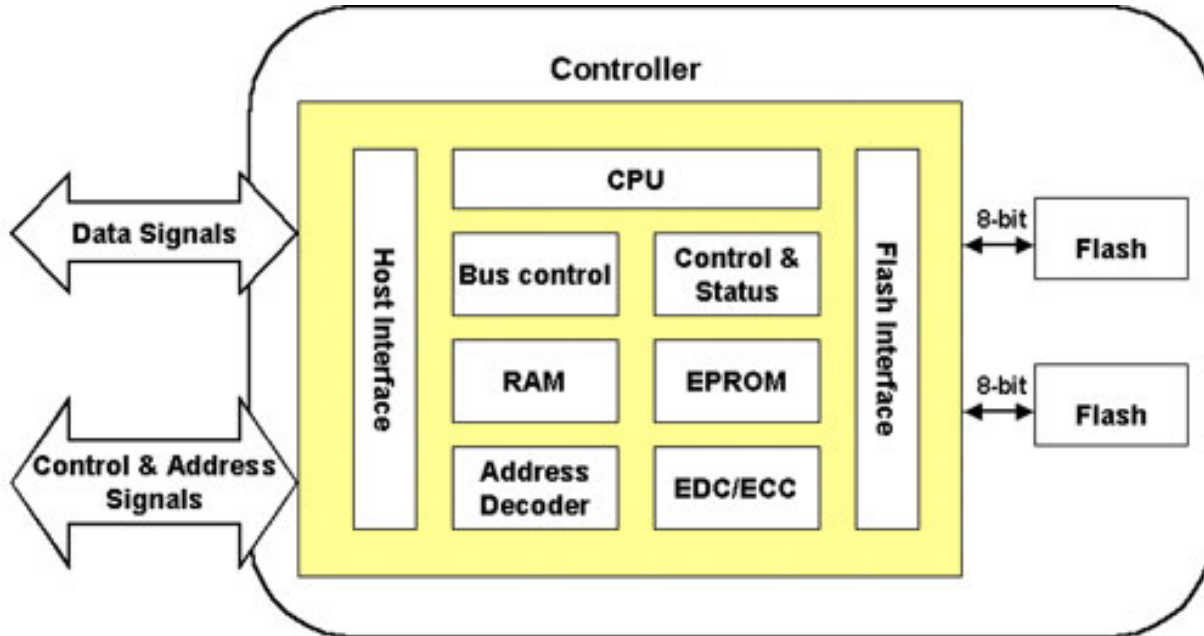
Problems, comments, suggestions? Please contact the [editor](#)

EPC World	Advantech Home	EPC Homepage	News Archive	Contact Us
---------------------------	--------------------------------	------------------------------	------------------------------	----------------------------

Prime News

DiskOnChip IDE Pro Block Diagram

Tel: 886-2-2218-4567
Fax: 886-2-2218-3875
[Contact the editor](#)



[BACK TO MAIN STORY](#)

[TOP](#)

Problems, comments, suggestions? Please contact the [editor](#)

EPC World	Advantech Home	EPC Homepage	News Archive	Contact Us
---------------------------	--------------------------------	------------------------------	------------------------------	----------------------------

Other News

Prime News

- [Introducing DiskOnChip IDE Pro](#)

Announcement

- [PCM-9572 Phase-out](#)
- [Sign Up for Advantech Windows CE.Net XP Embedded Training](#)

Event

- [Visit Advantech at Cebit 2002 and ESC 2002](#)

RECENT ISSUES

- [February 1, 2002](#)
- [January 15, 2002](#)
- [January 1, 2002](#)
- [December 15, 2001](#)

Announcement

Windows Embedded Training: XP Embedded & CE.Net

Starting in March, 2002, Advantech will provide various levels of training for Windows Embedded products including the new Windows XP Embedded and Windows CE .NET, all using Microsoft authorized course materials.



Below is a summary of the details for these classes.

- **Course 2545:** 2-day Developing Embedded Solutions for Windows XP Embedded
- **Course 2530:** 1-day Introduction to Microsoft® Windows® CE .NET
- **Course 2535:** 4-day Developing a Board Support Package for Microsoft® Windows® CE .NET
- **Course 2540:** 4-day Developing Embedded Solutions for Microsoft® Windows® CE .NET

Register Today

Because class scheduling is based on attendance, Class dates will be formalized when we determine the number of participants. Please be patient with the schedule for now, but be quick in contacting Advantech about reserving a space in one of these classes. We are expecting a great turnout, and expect classes to fill up quickly. Please contact your Advantech sales representative or ess@advantech.com to get more information on these classes or to sign up.



[TOP](#)

Problems, comments, suggestions? Please contact the [editor](#)

Tel: 886-2-2218-4567
Fax: 886-2-2218-3875
[Contact the editor](#)

Other News

Prime News

- [Introducing DiskOnChip IDE Pro](#)

Announcement

- [PCM-9572 Phase-out](#)
- [Sign Up for Advantech Windows CE.Net XP Embedded Training](#)

Event

- [Visit Advantech at Cebit 2002 and ESC 2002](#)

RECENT ISSUES

- [February 1, 2002](#)
- [January 15, 2002](#)
- [January 1, 2002](#)
- [December 15, 2001](#)

[EPC World](#)

[Advantech Home](#)

[EPC Homepage](#)

[News Archive](#)

[Contact Us](#)

Announcement

PCM-9572F-L8A1 Phase out Information

As previously announced to most of our sales channels on Jan 30th, 2002, the PCM-9572F-L8A1 SBCs will be phased out soon. Due to PCM-9572F-L8A1 VGA/LCD chip SMI 721/8M chip phase out. This is a reminder to let everyone know the exact date. The last-buy date will be July 30th, 2002. After this date, availability will be based on remaining stock only. The PCM-9572F-L4A1 will effectively replace the PCM-9572F-L8A1.

Once again, the PCM-9572F-L8A1 last buy date will be 7/30/2002. Contact <http://www.advantech.com/epc> for more information on this POS SBC product or any other Embedded PC products. You can also contact your local Advantech representative to find out more.

Tel: 886-2-2218-4567

Fax: 886-2-2218-3875

[Contact the editor](#)

Other News

Prime News

- [Introducing DiskOnChip IDE Pro](#)

Announcement

- [PCM-9572 Phase-out](#)
- [Sign Up for Advantech Windows CE.Net XP Embedded Training](#)

Event

- [Visit Advantech at Cebit 2002 and ESC 2002](#)

RECENT ISSUES

[February 1, 2002](#)[January 15, 2002](#)[January 1, 2002](#)[December 15, 2001](#)

[TOP](#)

Problems, comments, suggestions? Please contact the [editor](#)

[EPC World](#)[Advantech Home](#)[EPC Homepage](#)[News Archive](#)[Contact Us](#)

Event

Visit Advantech at CeBIT and ESC 2002

A Cordial Invitation to See Advantech at CeBIT 2002

What are visitors going to see at Advantech's booth at CeBIT 2002? This year, Advantech will deliver two themes to our booth guests: System on Module Solutions and Mobile and Wireless Computing Solutions.

Our on-duty staff will guide you to the fast time-to-market System on Module (SOM) CPU engines, along with our Design to Order Service and Embedded Software Integration Service to facilitate your customers' applications in a fast and cost-effective way.

Advantech provides both SOM-ETX and SOM-144 form factor engine boards, featuring different CPU architectures, performance and power consumption, based upon different needs from the customers. In addition, Advantech is also going to launch our first VIA Eden/Ezra single board computer, the PCM-9575, at our booth.

For customers who are particularly interested in mobile and wireless computing solutions, we are glad to introduce Advantech MobiPanel 100 wireless Windows CE-based web tablet appliance and the broadband wireless gateway, Unigateway EH-2010.

Most importantly, we cordially invite you to our Booth Party on March 14, starting at 6 p.m. After a hard working day at the fairground, you definitely don't want to miss this chance to smooth your strained nerves and sore legs. Welcome to Hall 9, Booth B45, there is yummy food, drinks and delightful music waiting for you. No business talk and pricing issues, but it's okay if you want to break the law for a moment. We look forward to meeting you there.

2002 Embedded System Conference in San Francisco

One of the largest events in the Embedded System Industry is just around the corner. The 2002 Embedded Systems Conference San Francisco, running from March 12 to March 16, is expected to draw engineers, technical managers, and developers from many different industries, backgrounds, and regions of the world to the Moscone Convention Center.

**Embedded Systems
Conference** San Francisco

This year, Advantech offers both board-level and system-level solutions to satisfy customers' embedded application needs. For board-level solutions, we present the newly developed System on Module, the SOM-4472, an ETX form factor SOM with

Tel: 886-2-2218-4567
Fax: 886-2-2218-3875
[Contact the editor](#)

Other News

Prime News

- [Introducing DiskOnChip IDE Pro](#)

Announcement

- [PCM-9572 Phase-out](#)
- [Sign Up for Advantech Windows CE.Net XP Embedded Training](#)

Event

- [Visit Advantech at Cebit 2002 and ESC 2002](#)

RECENT ISSUES

- [February 1, 2002](#)
- [January 15, 2002](#)
- [January 1, 2002](#)
- [December 15, 2001](#)

VIA Eden/Ezra processor, VGA, LCD/LVDS, Audio, Video & LAN. The Windows CE and XP Embedded ready Biscuit SBCs and half-sized CPU cards will be also highlighted.

For system-level solutions, Advantech proudly introduces the MobiPanel 100, a ruggedized, portable, wireless Windows CE-based web tablet appliance that combines data capture and communication technology. It is designed as a real time wireless solution to access information from remote databases via the Internet or Intranet. In addition, we will show a slim-type Panel Computer, encompassing high CPU power into a slick and elegant chassis with a 15" high brightness LCD. It is targeted to system integrators hunting for a compact and high performance HMI solution.

Visit Advanech's booth 5276 at the ESC in San Francisco. We would be glad to answer your questions and see to your needs for ideal embedded computing solutions.

Contact us for more Information

Contact your local Advantech representative or go to our website or e-mail epc@advantech.com.tw for more on the shows.

[TOP](#)

Problems, comments, suggestions? Please contact the [editor](#)

EPC World	Advantech Home	EPC Homepage	News Archive	Contact Us
---------------------------	--------------------------------	------------------------------	------------------------------	----------------------------

Event

Visit Advantech at CeBIT and ESC 2002

Tel: 886-2-2218-4567
Fax: 886-2-2218-3875
[Contact the editor](#)

Other News

Prime News

- [Introducing DiskOnChip IDE Pro](#)

Announcement

- [PCM-9572 Phase-out](#)
- [Sign Up for Advantech Windows CE.Net XP Embedded Training](#)

Event


- [Visit Advantech at Cebit 2002 and ESC 2002](#)

RECENT ISSUES

- [February 1, 2002](#)
- [January 15, 2002](#)
- [January 1, 2002](#)
- [December 15, 2001](#)

A Cordial Invitation to See Advantech at CeBIT 2002

Your ePlatform Partner
ADVANTECH



Date: March 14, 2002
Time: 18:00 pm
Place: Hall 9, Stand B45


A Cordial Invitation!

Welcome to Advantech's Booth Party at CeBIT

CeBIT
HANNOVER
13.-20.3.2002

It's time for a party! No business, no prices, no strategy! Only yummy food, drinks and delightful music.

Come to smooth your strained nerves and enjoy yourself in a relaxing atmosphere after a hard working day.



[BACK TO MAIN STORY](#)

[TOP](#)

Problems, comments, suggestions? Please contact the [editor](#)

EPC World	Advantech Home	EPC Homepage	News Archive	Contact Us
---------------------------	--------------------------------	------------------------------	------------------------------	----------------------------